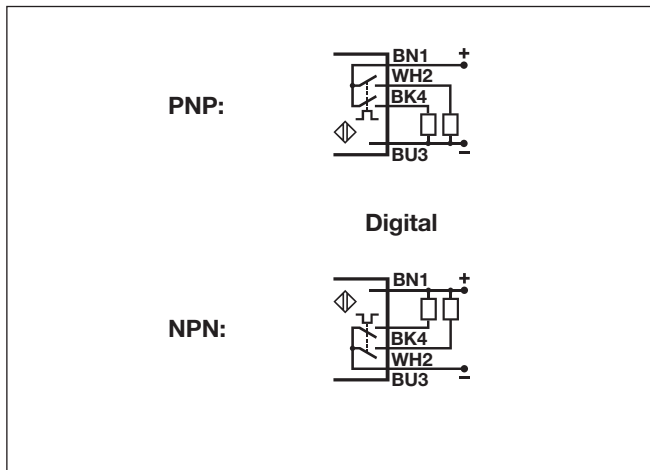


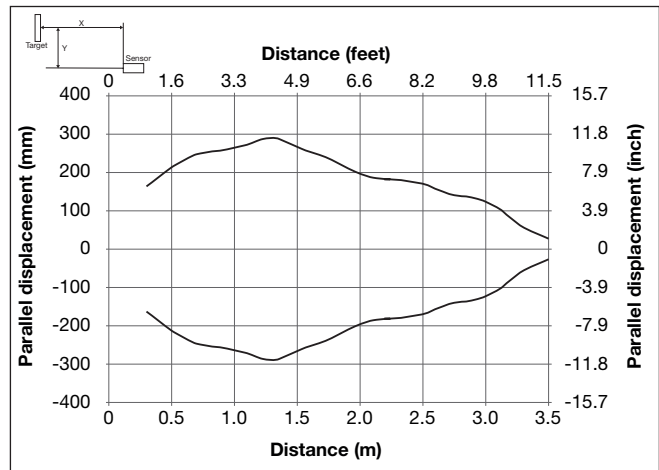
Specifications (cont.)

Output function, open collector By sensor type	NPN or PNP	Shock	30 g / 11 mS, 3 directions (IEC/EN 60068-2-27)
Output switching function	Two open collector transistor outputs to be configured as: - Normal Switching function with N.O and N.C. output. - Adjustable hysteresis Filling or emptying control	Rated insulation voltage	< 500 VAC (rms)
Indication Output ON Echo received	Yellow LED Green LED	Housing Material body Material front Material back, plug Material back, cable Material push-button Sealing around push-button Material sealing front	AISI 316L Epoxy-glass resin Grilamid Grilamid TPE TPE TPE
Environment Installation category Pollution degree Degree of protection	III (IEC 60664/60664A; 60947-1) 3 (IEC 60664/60664A; 60947-1) IP67 (IEC 60529; 60947-1) Nema 4X	Connection Cable Plug	PVC, grey, 2 m, 4 x 0.34 mm ² , Ø = 4.7 mm M12, 4-pin (CON. 14-series)
Ambient temperature Operating Storage	-20° to +70°C (-4° to +158°F) -35° to +70°C (-31° to +158°F)	Tightening torque	≤ 100 Nm
Vibration	10 to 55 Hz, 1.0 mm/6G. (IEC/EN 60068-2-6)	Weight Cable version Plug version	220 g 150 g
		CE-marking	Yes
		Approvals	cULus (UL508)

Wiring Diagram



Detection Range



Dimensions

